



www.Source1Parts.com

P3UR (STYLES A, B, C, AND D) UPFLOW NATURAL GAS FURNACES (90%)

HVAC SERVICE PARTS

Supersedes: 035-14338-001 Rev. A (1102)

035-14338-001 Rev. B (0303)

1 of 8

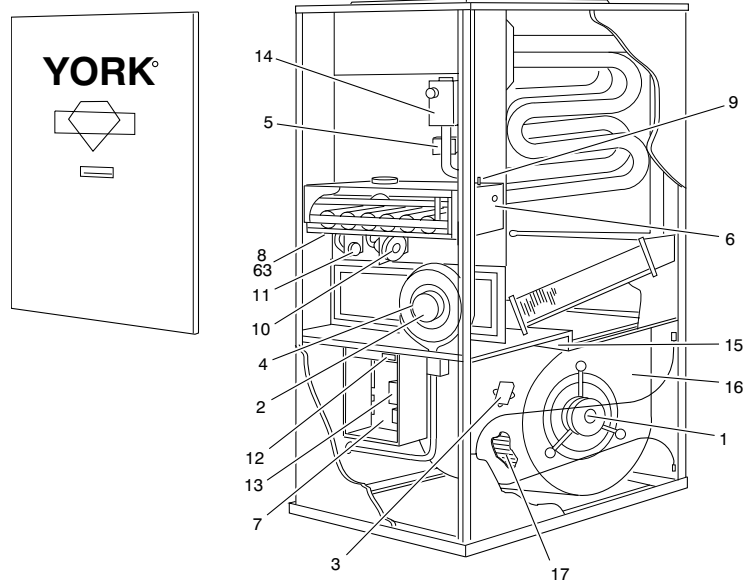


Figure 1: UPFLOW NATURAL GAS FURNACES (90%)

FIG	ITEM	STYLE	DESCRIPTION	P3URA08N03701	P3URB10N05501	P3URB12N07501	P3URC16N07501
				(2 BURNER)	(3 BURNER)	(4 BURNER)	(4 BURNER)
MOTOR							
1	1		MOTOR, DIRECT DRIVE BLOWER	024-25108-703	024-25103-702	024-23271-000	024-26002-000
1	2	A,B,C	MOTOR, VENTOR ASS'Y	373-14249-701	373-14249-701	373-14249-701	373-14249-701
		D	MOTOR, VENTOR ASS'Y	373-20717-001	373-20717-001	373-20717-001	373-20717-001
ELECTRICAL							
1	3		CAPACITOR (5MFD/370V)	024-20043-700	---	---	---
			CAPACITOR (7.5 MFD/370V)	---	024-20045-700	024-20045-700	---
			CAPACITOR (10 MFD/370V)	---	---	---	024-20046-700
1	4		CAPACITOR, VENTOR (4MFD/370V)	024-20084-000	024-20084-000	024-20084-000	024-20084-000
1	5		CONTROL, HIGH LIMIT	025-29041-004	025-29041-012	025-29041-002	025-29041-004
1	6		CONTROL, FLAME ROLL OUT	025-27792-001	025-27792-001	025-27792-001	025-27792-001
1	7		CONTROL, FURNACE	031-01266-000	031-01266-000	031-01266-000	031-01266-000
*	7A		FUSE	025-32746-026	025-32746-026	025-32746-026	025-32746-026
1	8		IGNITOR	025-32625-000	025-32625-000	025-32625-000	025-32625-000
1	9		SENSOR, FLAME	025-30788-700	025-30788-700	025-30788-700	025-30788-700
1	10	A	SWITCH, AIR PRESSURE [1LP]	024-25997-000	---	---	---
		B,C	SWITCH, AIR PRESSURE [1LP]	---	024-27637-000	024-27637-000	024-27638-000
		D	SWITCH, AIR PRESSURE [1LP]	024-27639-000	024-27637-000	024-27637-000	024-27638-000
1	11	A	SWITCH, AIR PRESSURE [2LP]	024-25993-000	---	---	---
		B,C,D	SWITCH, AIR PRESSURE [2LP]	---	---	---	---
1	12	A,B,C	SWITCH, DOOR	024-25811-000	024-25811-000	024-25811-000	024-25811-000
		D	SWITCH, DOOR	024-31943-000	024-31943-000	024-31943-000	024-31943-000
1	13		TRANSFORMER	025-30889-000	025-30889-000	025-30889-000	025-30889-000
1	14		VALVE, GAS	025-31969-000	025-31969-000	025-31969-000	025-31969-000
AIR MOVING							
1	15		CUTOFF, BLOWER	---	---	063-93198-000	063-93198-000
1	16	A,B	HOUSING, BLOWER	363-78000-002	363-78000-003	363-93200-000	363-93200-000
		C,D	HOUSING, BLOWER	373-17771-002	373-17771-003	373-17829-002	373-17829-002
1	17		WHEEL, BLOWER	026-19654-702	026-19654-707	026-19654-709	026-19654-709

NOTE: *Not Shown
 New replacement parts shown in **bold** face type at the first printing of parts list dated 3/03.
 Major components and suggested stocking items are shown with shaded item number.
 "<" Across from row indicates a change in that row.
 --- Not applicable to specified model.
 Components without Style letter shown are unaffected by Style change.

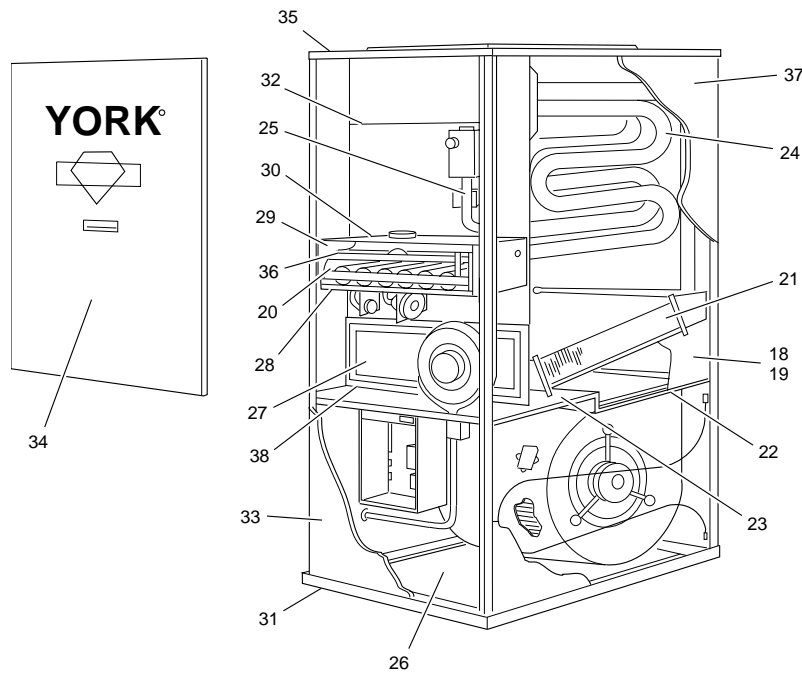


Figure 2: UPFLOW NATURAL GAS FURNACES (90%)

FIG	ITEM	STYLE	DESCRIPTION	P3URA08N03701	P3URB10N05501	P3URB12N07501	P3URC16N07501
				(2 BURNER)	(3 BURNER)	(4 BURNER)	(4 BURNER)
FABRICATED PARTS							
2	18		BAFFLE, AIR (LH Recoup.Coil)	073-12127-002	073-12127-002	073-12127-002	073-12127-002
2	19		BAFFLE, AIR (RH Recoup.Coil)	073-12127-001	073-12127-001	073-12127-001	073-12127-001
2	20		BURNER, MAIN GAS	029-20482-000	029-20482-000	029-20482-000	029-20482-000
2	21	A	COIL, SECONDARY HEAT EXCHANGER	373-14523-001	---	---	---
		B,C,D	COIL, SECONDARY HEAT EXCHANGER	373-18279-001	373-18279-002	373-18279-003	373-18279-007
2	22		DECK, BLOWER (Rear)	073-17501-001	073-12080-000	073-12081-700	073-15317-000
2	23	A,B	DECK, FRONT	073-17546-000	073-17422-000	073-17422-000	073-17423-000
		C,D	DECK, FRONT	073-20828-000	073-20825-000	073-20825-000	073-20826-000
2	24		HEAT EXCHANGER ASS'Y (Primary)	373-17467-008	373-17467-002	373-17467-003	373-17467-007
2	25		MANIFOLD, GAS	029-21177-001	029-21177-002	029-21177-003	029-21177-003
2	26		PAN, BASE	073-17504-001	073-17504-002	073-17504-002	073-17504-003
2	27	A	PAN, CONDENSATE	028-12451-000	---	---	---
		B,C,D	PAN, CONDENSATE	028-13322-000	028-13323-000	028-13324-000	028-13328-000
2	28	A	PANEL, BURNER BOX (Bottom)	073-17449-000	---	---	---
		B,C,D	PANEL, BURNER BOX (Bottom)	073-20829-000	073-20821-000	073-20822-000	073-20822-000
2	29	A,B,C	PANEL, BURNER BOX (Front)	373-14526-001	373-14526-002	373-14526-003	373-14526-003
		D	PANEL, BURNER BOX (Front)	373-22155-001	373-22155-002	373-22155-003	373-22155-003
2	30		WRAPPER, BURNER BOX	073-14542-000	073-14543-000	073-14544-000	073-14544-000
2	31		CHANNEL, TOE PLATE	073-12062-005	073-12062-702	073-12062-702	073-12062-703
2	32		COVER, HEAT EXCHANGER	073-17614-000	073-17615-000	073-17616-000	073-17616-000
2	33	A,B	PANEL, FRONT (Blower)	073-14467-005	073-14467-002	073-14467-002	073-14467-003
		C,D	PANEL, FRONT (Blower)	073-17522-001	073-17522-002	073-17522-002	073-17522-003
2	34	A	PANEL, FRONT (Burner)	073-14427-005	---	---	---
		B,C	PANEL, FRONT (Burner)	073-17974-001	073-17974-002	073-17974-002	073-17974-003
		D	PANEL, FRONT (Burner)	073-20925-004	073-20925-001	073-20925-001	073-20925-002
2	35		PANEL, TOP	073-17545-001	073-17446-000	073-17446-000	073-17447-000
2	36		SUPPORT, BURNER	073-17454-000	073-17455-000	073-17456-000	073-17456-000
2	37	A,B,C	WRAPPER, CABINET	373-12056-005	373-12056-702	373-12056-702	373-12056-703
		D	WRAPPER, CABINET	373-22424-001	373-22424-002	373-22424-002	373-22424-003
2	38		PANEL, VESTIBULE (Lower)	073-17544-000	073-14570-000	073-14570-000	073-14571-000
*	39		PLUG, WINDOW, CLEAR - .875"	025-30899-000	025-30899-000	025-30899-000	025-30899-000

NOTE: *Not Shown
 New replacement parts shown in **bold** face type at the first printing of parts list dated 3/03.
 Major components and suggested stocking items are shown with shaded item number.
 "<" Across from row indicates a change in that row.
 --- Not applicable to specified model.
 Components without Style letter shown are unaffected by Style change.

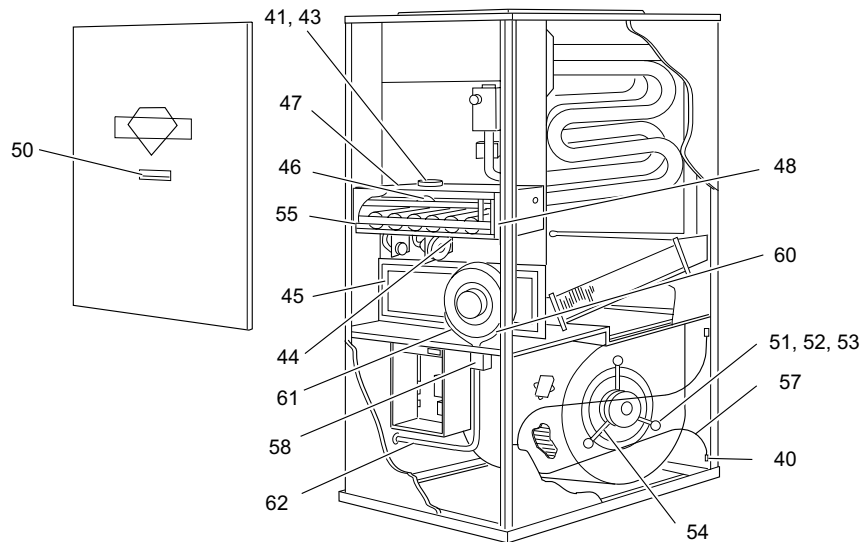


Figure 3: UPFLOW NATURAL GAS FURNACES (90%)

FIG	ITEM	STYLE	DESCRIPTION	P3URA08N03701	P3URB10N05501	P3URB12N07501	P3URC16N07501
				(2 BURNER)	(3 BURNER)	(4 BURNER)	(4 BURNER)
MISCELLANEOUS							
3	40		CLIP, FILTER RETAINER (2Req'd)	021-16017-000	021-16017-000	021-16017-000	021-16017-000
3	41		COLLAR, AIR INTAKE (Burner Box)	028-11289-000	028-11289-000	028-11289-000	028-11289-000
*	42		FILTER, AIR	026-28048-001	026-28048-001	026-28048-001	026-28048-003
			FILTER SIZE	(1 X 16 X 26)	(1 X 16 X 26)	(1 X 16 X 26)	(1 X 20 X 26)
3	43		GASKET, AIR INTAKE COLLAR	028-12460-001	028-12460-001	028-12460-001	028-12460-001
3	44		GASKET, COMBUSTION BLOWER	028-12498-000	028-12498-000	028-12498-000	028-12498-000
3	45		GASKET, CONDENSATE PAN	028-12458-001	028-12458-002	028-12458-002	028-12458-003
3	46	A	GASKET, BURNER BOX	028-11647-000	---	---	---
		B,C,D	GASKET, BURNER BOX	---	---	---	---
3	47		GASKET, BURN BOX TO VEST PANEL	028-12459-001	028-12459-002	028-12459-003	028-12459-003
3	48	A,B,C	GROMMET, MANIFOLD SEAL	028-12465-000	028-12465-000	028-12465-000	028-12465-000
		D	GROMMET, MANIFOLD SEAL	---	---	---	---
*	49		GROMMET, OBSERV. PORT	028-11284-000	028-11284-000	028-11284-000	028-11284-000
3	50		HANDLE, DOOR	029-22113-000	029-22113-000	029-22113-000	029-22113-000
3	51		ISOLATOR, TUBE (3 Req'd)	---	---	028-09412-001	028-09412-001
3	52		ISOLATOR, WASHER (3 Req'd)	---	---	028-09412-002	028-09412-002
3	53		ISOLATOR, SLEEVE (3 Req'd)	---	---	028-09412-003	028-09412-003
3	54		MOUNT, MOTOR	---	---	026-31459-000	026-31459-000
3	55	A	ORIFICE, BURNER (Natural #44)	029-20423-044	---	---	---
		B,C,D	ORIFICE, BURNER (Natural #45)	029-21182-045	029-21182-045	029-21182-045	029-21182-045
*	56	A,B,C	PORT, OBSERVATION (GLASS)	028-11285-000	028-11285-000	028-11285-000	028-11285-000
		D	PLUG, WINDOW CLEAR	025-37005-000	025-37005-000	025-37005-000	025-37005-000
3	57		RETAINER, FILTER	026-28040-000	026-28040-000	026-28040-000	026-28040-000
3	58		TRAP, CONDENSATE	028-13241-000	028-13241-000	028-13241-000	028-13241-000
*	59	A,B	WIRING DIAGRAM	035-14107-000	035-14107-000	035-14107-000	035-14107-000
		C	WIRING DIAGRAM	035-14444-000	035-14444-000	035-14444-000	035-14444-000
		D	WIRING DIAGRAM	035-17415-000	035-17415-000	035-17415-000	035-17415-000
3	60		HOSE, INDUCER DRAIN	028-12463-002	028-12463-002	028-12463-002	028-12463-002
3	61		HOSE, CONDENSATE PAN DRAIN (Top)	028-12462-001	028-12462-001	028-12462-001	028-12462-001
3	62		HOSE, CONDENSATE DRAIN	028-12464-001	028-12464-001	028-12464-001	028-12464-002
1	63		BRACKET, IGNITOR	073-17403-000	073-17403-000	073-17403-000	073-17403-000
*	64	A,B	HOSE, CONDENSATE PAN DRAIN(Btm)	028-13242-000	028-13243-000	028-13243-000	028-13243-000
		C,D	HOSE, CONDENSATE PAN DRAIN(Btm)	028-13243-000	028-13243-000	028-13243-000	028-13243-000
*	65		PIPE, EXHAUST VENT	028-13240-000	028-13240-000	028-13240-000	028-13240-000

NOTE: *Not Shown

New replacement parts shown in **bold** face type at the first printing of parts list dated 3/03.

Major components and suggested stocking items are shown with shaded item number.

"<" Across from row indicates a change in that row.

--- Not applicable to specified model.

Components without Style letter shown are unaffected by Style change.

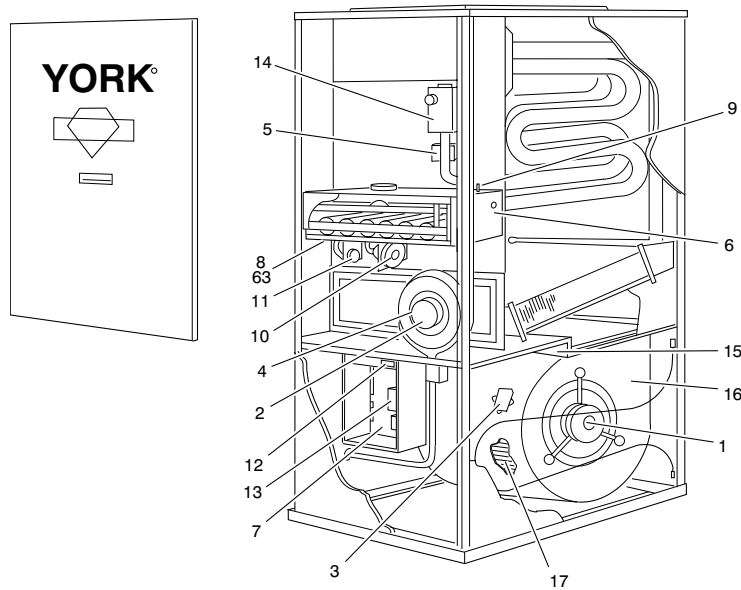


Figure 1: UPFLOW NATURAL GAS FURNACES (90%)

FIG	ITEM	STYLE	DESCRIPTION	P3URC14N09501	P3URC20N09501	P3URD20N11201	P3URD20N13001
				(5 BURNER)	(5 BURNER)	(6 BURNER)	(7 BURNER)
MOTOR							
1	1		MOTOR, DIRECT DRIVE BLOWER	024-26003-000	024-23238-001	024-23238-001	024-23238-001
1	2	A,B,C	MOTOR, VENTOR ASS'Y	373-14249-701	373-14249-701	373-14249-701	373-14249-701
		D	MOTOR, VENTOR ASS'Y	373-20717-001	373-20717-001	373-20717-001	373-20717-001
ELECTRICAL							
1	3		CAPACITOR (10MFD/370V)	024-20046-700	---	---	---
			CAPACITOR (15MFD/370V)	---	024-20446-700	024-20446-700	024-20446-700
1	4		CAPACITOR, VENTOR (4MFD/370V)	024-20084-700	024-20084-700	024-20084-700	024-20084-700
1	5		CONTROL, HIGH LIMIT	025-29041-002	025-29041-002	025-29041-002	025-29041-004
1	6		CONTROL, FLAME ROLL OUT (2 ea.)	025-27792-001	025-27792-001	025-27792-001	025-27792-001
1	7		CONTROL, FURNACE	031-01266-000	031-01266-000	031-01266-000	031-01266-000
*	7A		FUSE	025-32746-026	025-32746-026	025-32746-026	025-32746-026
1	8		IGNITOR	025-32625-000	025-32625-000	025-32625-000	025-32625-000
1	9		SENSOR, FLAME	025-30788-700	025-30788-700	025-30788-700	025-30788-700
1	10	A	SWITCH, AIR PRESSURE [1LP]	---	---	024-25995-000	024-25996-000
		B,C	SWITCH, AIR PRESSURE [1LP]	024-27634-000	024-27634-000	024-27637-000	024-27638-000
		D	SWITCH, AIR PRESSURE [1LP]	024-27634-000	024-27634-000	024-27637-000	024-27637-000
1	11	A	SWITCH, AIR PRESSURE [2LP]	---	---	024-26038-000	024-26038-000
		B,C,D	SWITCH, AIR PRESSURE [2LP]	---	---	---	---
1	12	A,B,C	SWITCH, DOOR	024-25811-000	024-25811-000	024-25811-000	024-25811-000
		D	SWITCH, DOOR	024-31943-000	024-31943-000	024-31943-000	024-31943-000
1	13		TRANSFORMER	025-30889-000	025-30889-000	025-30889-000	025-30889-000
1	14		VALVE, GAS	025-31969-000	025-31969-000	025-31969-000	025-31969-000
AIR MOVING							
1	15		CUTOFF, BLOWER	---	063-78006-700	063-78006-700	063-78006-700
1	16	A,B	HOUSING, BLOWER	373-07612-000	373-06239-700	373-06239-700	373-06239-700
		C,D	HOUSING, BLOWER	373-17828-001	373-17829-001	373-17829-001	373-17829-001
1	17		WHEEL, BLOWER	026-19654-705	026-19654-014	026-19654-014	026-19654-014

NOTE: *Not Shown
 New replacement parts shown in **bold** face type at the first printing of parts list code dated 3/03.
 Major components and suggested stockings items are shown with shaded item number.
 "<" Across from row indicates a change in that row.
 --- Not applicable to specified model.
 Components without Style letter shown are unaffected by Style change.

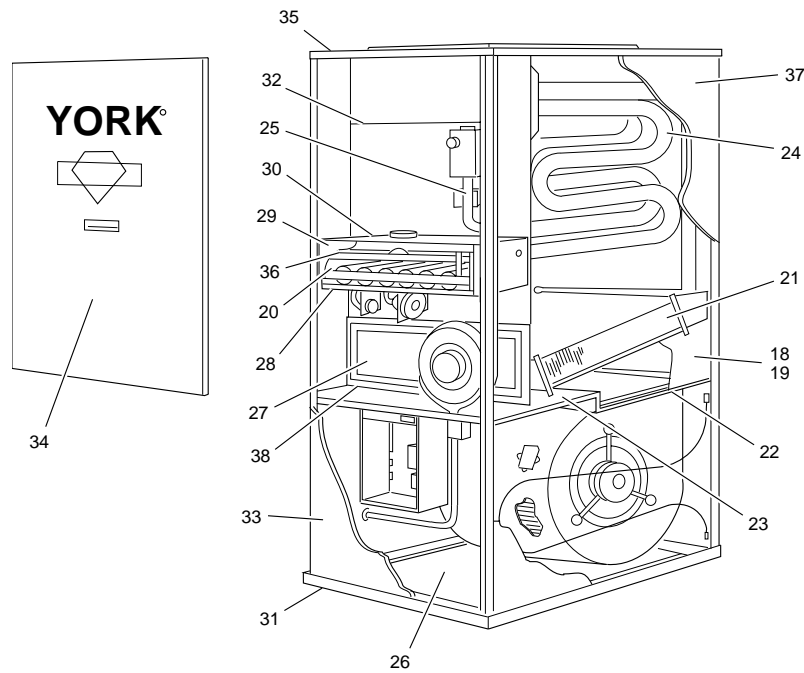


Figure 2: UPFLOW NATURAL GAS FURNACES (90%)

FIG	ITEM	STYLE	DESCRIPTION	P3URC14N09501	P3URC20N09501	P3URD20N11201	P3URD20N13001
				(5 BURNER)	(5 BURNER)	(6 BURNER)	(7 BURNER)
FABRICATED PARTS							
2	18		BAFFLE, AIR (LH Recoup.Coil)	073-12127-002	073-12127-002	073-12127-002	073-12127-002
2	19		BAFFLE, AIR (RH Recoup. Coil)	073-12127-001	073-12127-001	073-12127-001	073-12127-001
2	20		BURNER, MAIN GAS	029-20482-000	029-20482-000	029-20482-000	029-20482-000
2	21	A	COIL, SECONDARY HEAT EXCHANGER	---	---	373-14523-005	373-14523-006
		B,C,D	COIL, SECONDARY HEAT EXCHANGER	373-18279-004	373-18279-004	373-18279-005	373-18279-006
2	22		DECK, BLOWER (Rear)	073-12082-700	073-12082-700	073-12083-000	073-12083-000
2	23	A,B	DECK, FRONT	073-17423-000	073-17423-000	073-17424-000	073-17424-000
		C,D	DECK, FRONT	073-20826-000	073-20826-000	073-20827-000	073-20827-000
2	24		HEAT EXCHANGER ASS'Y(Primary)	373-17467-004	373-17467-004	373-17467-005	373-17467-006
2	25		MANIFOLD, GAS	029-21177-004	029-21177-004	029-21177-005	029-21177-005
2	26		PAN, BASE	073-17504-003	073-17504-003	073-17504-004	073-17504-004
2	27	A	PAN, CONDENSATE	---	---	028-12455-000	028-12456-000
		B,C,D	PAN, CONDENSATE	028-13325-000	028-13325-000	028-13326-000	028-13327-000
2	28	A	PANEL, BURNER BOX (Bottom)	---	---	073-17453-000	073-17453-000
		B,C,D	PANEL, BURNER BOX (Bottom)	073-20823-000	073-20823-000	073-20824-000	073-20824-000
2	29	A,B,C	PANEL, BURNER BOX (Front)	373-14526-004	373-14526-004	373-14526-005	373-14526-005
		D	PANEL, BURNER BOX (Front)	373-22155-004	373-22155-004	373-22155-005	373-22155-005
2	30		WRAPPER, BURNER BOX	073-14545-000	073-14545-000	073-14546-000	073-14546-000
2	31		CHANNEL, TOE PLATE	073-12062-703	073-12062-703	073-12062-704	073-12062-704
2	32		COVER, HEAT EXCHANGER	073-17617-000	073-17617-000	073-17618-000	073-17618-000
2	33	A,B	PANEL, FRONT (Blower)	073-14467-003	073-14467-003	073-14467-004	073-14467-004
		C,D	PANEL, FRONT (Blower)	073-17522-003	073-17522-003	073-17522-004	073-17522-004
2	34	A	PANEL, FRONT (Burner)	---	---	073-14427-004	073-14427-004
		B,C	PANEL, FRONT (Burner)	073-17974-003	073-17974-003	073-17974-004	073-17974-004
		D	PANEL, FRONT (Burner)	073-20925-002	073-20925-002	073-20925-003	073-20925-003
2	35		PANEL, TOP	073-17447-000	073-17447-000	073-17448-000	073-17448-000
2	36		SUPPORT, BURNER	073-17457-000	073-17457-000	073-17458-000	073-17458-000
2	37	A,B,C	WRAPPER, CABINET	373-12056-703	373-12056-703	373-12056-704	373-12056-704
		D	WRAPPER, CABINET	373-22424-003	373-22424-003	373-22424-004	373-22424-004
2	38		PANEL, VESTIBULE (Lower)	073-14571-000	073-14571-000	073-14572-000	073-14416-000
*	39		PLUG, WINDOW,CLEAR - .875"	025-30899-000	025-30899-000	025-30899-000	025-30899-000

NOTE: *Not Shown
 New replacement parts shown in **bold** face type at the first printing of parts list dated 3/03.
 Major components and suggested stocking items are shown with shaded item number.
 "<" Across from row indicates a change in that row.
 --- Not applicable to specified model.
 Components without Style letter shown are unaffected by Style change.

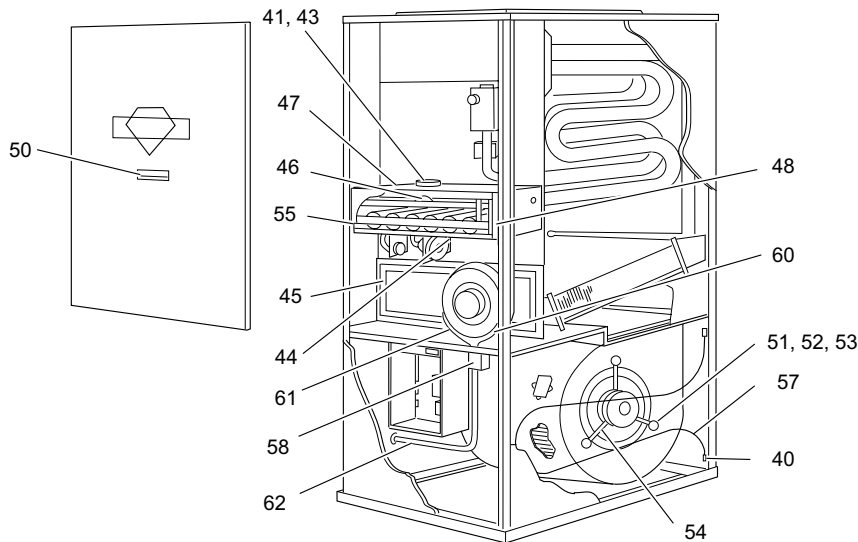


Figure 3: UPFLOW NATURAL GAS FURNACES (90%)

FIG	ITEM	STYLE	DESCRIPTION	P3URC14N09501	P3URC20N09501	P3URD20N11201	P3URD20N13001
				(5 BURNER)	(5 BURNER)	(6 BURNER)	(7 BURNER)
MISCELLANEOUS							
3	40		CLIP, FILTER RETAINER (2Req'd)	021-16017-000	021-16017-000	021-16017-000	021-16017-000
3	41		COLLAR, AIR INTAKE (Burner Box)	028-11289-000	028-11289-000	028-11290-000	028-11290-000
*	42		FILTER, AIR	026-28048-003	026-28048-003	026-28048-004	026-28048-004
			FILTER SIZE	(1 X 20 X 26)	(1 X 20 X 26)	(1 X 24 X 26)	(1 X 24 X 26)
3	43		GASKET, AIR INTAKE COLLAR	028-12460-001	028-12460-001	028-12460-002	028-12460-002
3	44		GASKET, COMBUSTION BLOWER	028-12498-000	028-12498-000	028-12498-000	028-12498-000
3	45		GASKET, CONDENSATE PAN	028-12458-003	028-12458-003	028-12458-004	028-12458-005
3	46	A	GASKET, BURNER BOX	---	---	028-11647-000	028-11647-000
		B,C,D	GASKET, BURNER BOX	---	---	---	---
3	47		GASKET, BURN BOX TO VEST PANEL	028-12459-004	028-12459-004	028-12459-005	028-12459-005
3	48		GROMMET, MANIFOLD SEAL	028-12465-000	028-12465-000	028-12465-000	028-12465-000
*	49	A,B,C	GROMMET, OBSERV. PORT	028-11284-000	028-11284-000	028-11284-000	028-11284-000
		D	GROMMET, OBSERV. PORT	---	---	---	---
3	50		HANDLE, DOOR	029-22113-000	029-22113-000	029-22113-000	029-22113-000
3	51		ISOLATOR, TUBE (3 Req'd)	028-09412-001	028-09412-001	028-09412-001	028-09412-001
3	52		ISOLATOR, WASHER (3 Req'd)	028-09412-002	028-09412-002	028-09412-002	028-09412-002
3	53		ISOLATOR, SLEEVE (3 Req'd)	028-09412-003	028-09412-003	028-09412-003	028-09412-003
3	54		MOUNT, MOTOR	026-31480-000	026-31459-000	026-31459-000	026-31459-000
3	55		ORIFICE, BURNER (Natural #45)	029-21182-045	029-21182-045	029-21182-045	---
			ORIFICE, BURNER (Natural #43)	---	---	---	029-20423-043
*	56	A,B,C	PORT, OBSERVATION (GLASS)	028-11285-000	028-11285-000	028-11285-000	028-11285-000
		D	PLUG, WINDOW CLEAR	025-37005-000	025-37005-000	025-37005-000	025-37005-000
3	57		RETAINER, FILTER	026-28040-000	026-28040-000	026-28040-000	026-28040-000
3	58		TRAP, CONDENSATE	028-13241-000	028-13241-000	028-13241-000	028-13241-000
*	59	A,B	WIRING DIAGRAM	035-14107-000	035-14107-000	035-14107-000	035-14107-000
		C	WIRING DIAGRAM	035-14444-000	035-14444-000	035-14444-000	035-14444-000
		D	WIRING DIAGRAM	035-17415-000	035-17415-000	035-17415-000	035-17415-000
3	60		HOSE, INDUCER DRAIN	028-12463-002	028-12463-002	028-12463-002	028-12463-002
3	61		HOSE, CONDENSATE PAN DRAIN (Top)	028-12462-001	028-12462-001	028-12462-001	028-12462-001
3	62		HOSE, CONDENSATE DRAIN	028-12464-002	028-12464-002	028-12464-003	028-12464-003
1	63		BRACKET, IGNITOR	073-17403-000	073-17403-000	073-17403-000	073-17403-000
*	64		HOSE, CONDENSATE PAN DRAIN(Btm)	028-13243-000	028-13243-000	028-13243-000	028-13243-000
*	65		PIPE, EXHAUST VENT	028-13240-000	028-13240-000	028-13240-000	028-13240-000

NOTE: *Not Shown
 New replacement parts shown in **bold** face type at the first printing of parts list dated 3/03.
 Major components and suggested stocking items are shown with shaded item number.
 "<" Across from row indicates a change in that row.
 --- Not applicable to specified model.
 Components without Style letter shown are unaffected by Style change.

FIELD INSTALLED ACCESSORIES - NON-ELECTRICAL		
MODEL NO.	DESCRIPTION	USED WITH
1NP0347	PROPANE (LP) CONVERSION KIT	ALL MODELS EXCEPT 130 MBH
1NP0349		130 MBH
1CT0301	CONCENTRIC INTAKE TERMINATION VENT	ALL MODELS
1SR0302	EXTERNAL SIDE FILTER RACK (6 PACK)	ALL MODELS
1BR0301	EXTERNAL BOTTOM FILTER RACK	14-1/2" CABINETS
1BR0302		17-1/2" CABINETS
1BR0303		21" CABINETS
1BR0304		24-1/2" CABINETS

SPECIAL NOTE: "STYLE A" WERE ONLY MANUFACTURED IN THREE MODELS P3URA08N03701, P3URD20N11201, AND P3URD20N13001.

TO ORDER AUTHORIZED FACTORY REPLACEMENT PARTS - Contact your Source1 HVAC Parts Distributor or visit our website at **www.Source1Parts.com** for a Distributor and Dealer listing.

Subject to change without notice. Printed in U.S.A.
Copyright © by York International Corp. 2003. All rights reserved.

035-14338-001 Rev. B (0303)
Supersedes: 035-14338-001 Rev. A (1102)

**Unitary
Products
Group**

**5005
York
Drive**

**Norman
OK
73069**